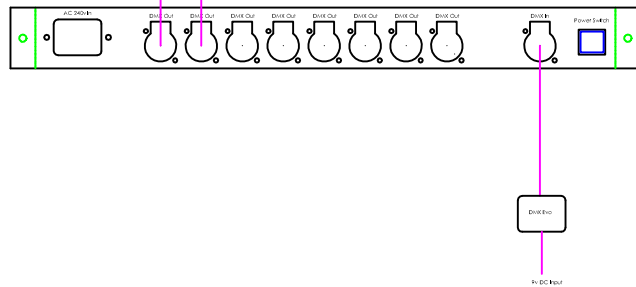
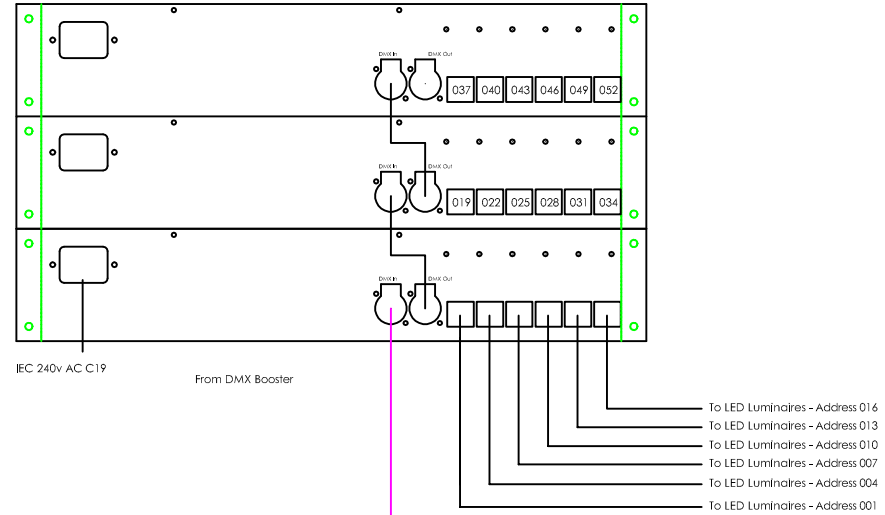
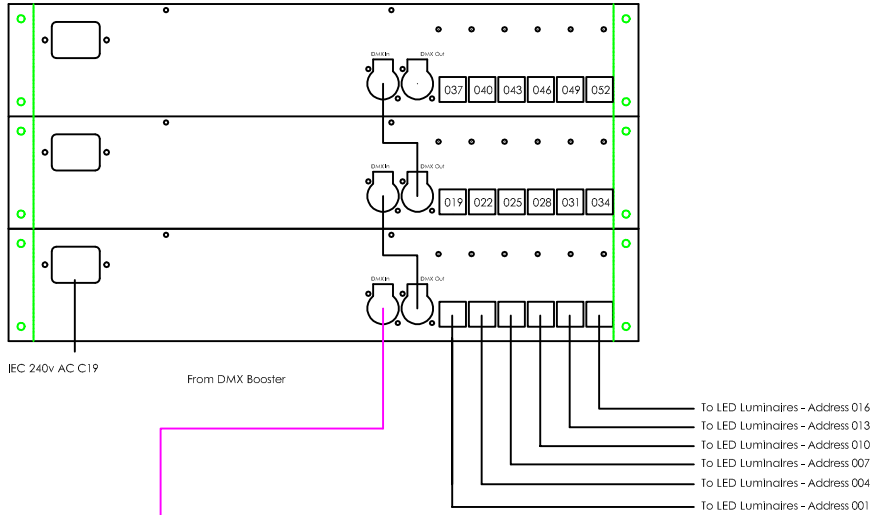


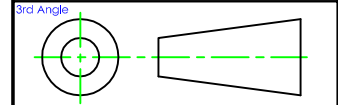
IF IN DOUBT ASK

Maximum 32 MDD6 per Booster port

Maximum 32 MDD6 per Booster port



Die No.:	0
Cust No.:	0
Drawn: AB	Size: A3
Date: 8 February 2010	
Title: MDD6 Wiring	



Finish:	CCD : Ø
Primary Surface	-----
Unspecified Thickness =	0.0
Unspecified Radii =	0.0
V = Vee Groove	0.0 x 90°
Unless otherwise stated: Machine Tolerances to be ±0.25 Extrusion Tolerances to BS EN755-9	

Radii	Area	0000.0000
A 0.0	Pm. Ext.	000.0
B 0.0	Pm. Int.	000.0
C 0.0	Weight	0.000
D 0.0	Alloy:	6060 T6
F Full	Scale:	1:1/3:1 @ A3
S Sharp	Dim's:	Millimetres

Notes:

Rv	CCF	Dwn	Checked	Appr	Date
.	.	.			.

KYPAL LTD
 The Old Barns, Warrington Farm House
 Warrington nr Olney, MK46 4HN
 Tel: 01234 711354
 Fax: 01234 714285
 e-mail: info@kypal.co.uk

PLEASE INDICATE ALL PRIMARY / VISIBLE SURFACES