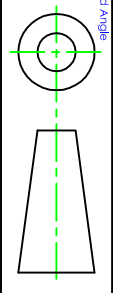
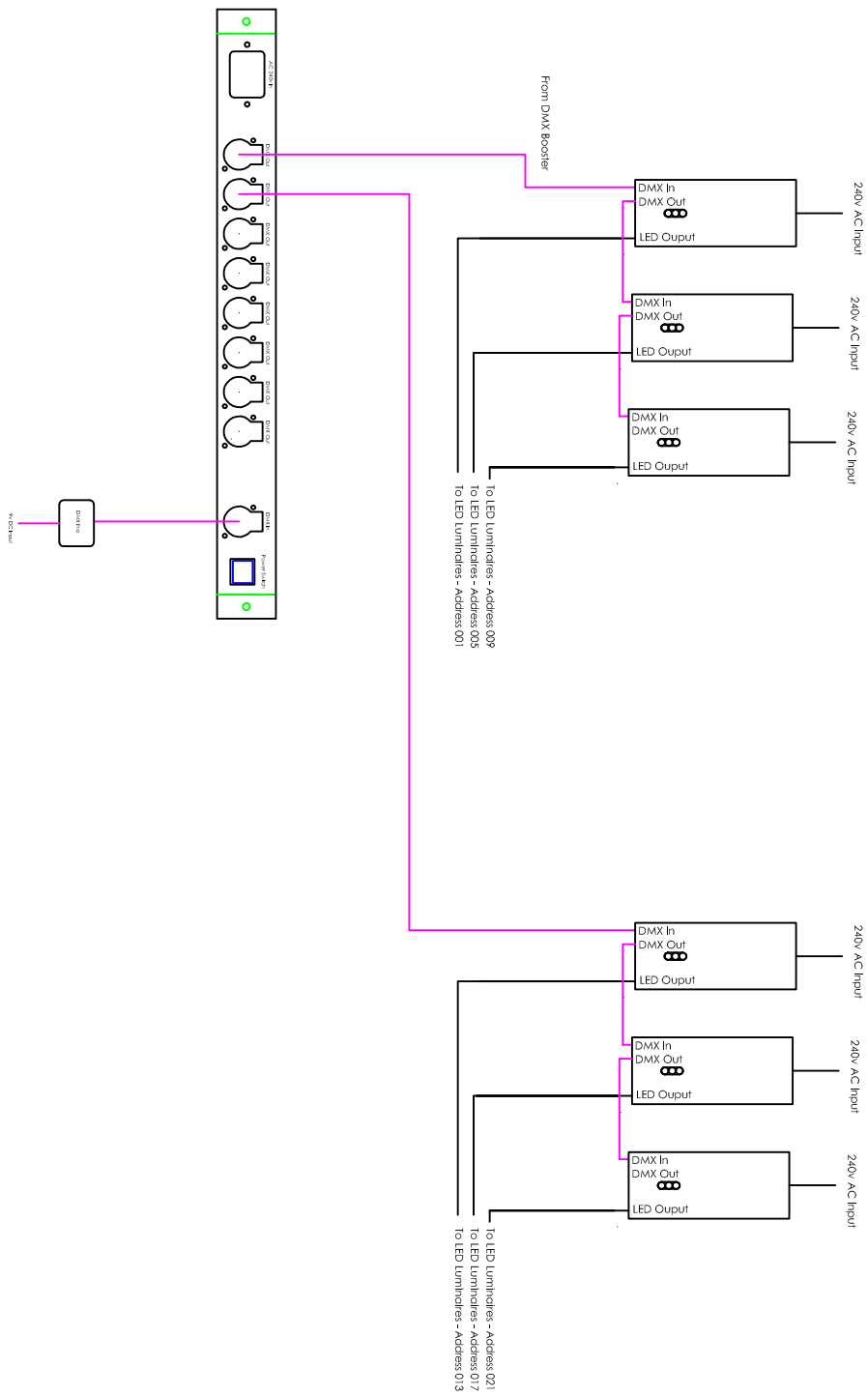


IF IN DOUBT ASK

Maximum 32 DMX3504 per Booster port

Maximum 32 DMX3504 per Booster port



Finish: CCD : Ø

Primary Surface: Unspecified Thickness = 0.0

Unspecified Radii = 0.0

V = Vee Groove 0.0 x 90°

Unless otherwise stated: Machine Tolerances to be ±0.25

Extrusion Tolerances to BS EN755-9

Radii: Area 0000.0000

A: 0.0 Pm. Ext. 000.0

B: 0.0 Pm. Int. 000.0

C: 0.0 Weight 0.000

D: 0.0 Alloy: 6060 T6

F: Full Scale: 1:1/3:1 @ A3

S: Sharp Dim's: Millimetres

Notes:

Rev	CCF	Drawn	Checked	Appr	Date



KYPAL LTD
 The Old Barns, Warrington Farm House
 Warrington nr Olney, MK46 4HN
 Tel: 01234 711354
 Fax: 01234 714285
 e-mail: info@kypal.co.uk

PLEASE INDICATE ALL PRIMARY / VISIBLE SURFACES